

Straight Interchangeable Typeholders

Hand-Held and Press-Mounted Typeholders

STRAIGHT TYPEHOLDERS — systems for locating and marking in a specific area with reliable repeatability on nameplates or parts

Stock Typeholders - Models PB1 & PH1 - For 1.125 Inch Tall Type

Cat. No.	Cavity Size	Char. Size/Will Hold			Price
		3/32	1/8	5/32	
PH1-4	1/4 X 1/2	5	4	-	Call
PH1-6	1/4 X 3/4	8	6	4	
PH1-8	1/4 X 1	10	8	6	
PH1-10	1/4 X 1 1/4	13	10	8	
PH1-12	1/4 X 1 1/2	16	12	9	
PH1-14	1/4 X 1 3/4	18	14	11	
PH1-16	1/4 X 2	21	16	12	
PH1-20	1/4 X 2 1/2	26	20	16	

Cat. No.	Cavity Size	Char. Size/Will Hold				Price
		3/16	1/4	5/16	3/8	
PB1X-1	5/16 X 1 1/2	8	6	-	-	Call
PB1X-2	5/16 X 2 1/4	12	9	-	-	
PB1X-3	3/8 X 2	-	8	6	-	
PB1X-4	3/8 X 3	-	12	9	-	
PB1X-5	7/16 X 1 7/8	-	-	6	6	
PB1X-6	7/16 X 2 1/2	-	-	8	8	
PB1X-7	1/2 X 1 7/8	-	-	-	6	
PB1X-8	1/2 X 2 1/2	-	-	-	8	

Please call for current pricing

Stock Interchangeable Type and Dimensions

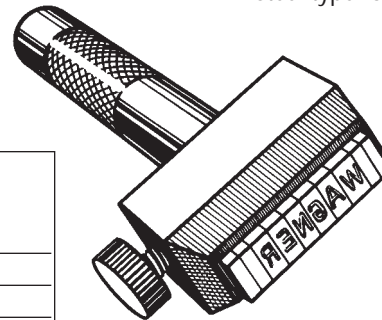
Char. Size	1-5 pcs. (each)	6-19 pcs. (each)	20-49 pcs. (each)	50-99 pcs. (each)	100+ pcs. (each)	Type Size (Inches)		
						"A"	"B"	"C"
1/16						1/16	x 1/4	x 1.1250
3/32						3/32	x 1/4	x 1.1250
1/8						1/8	x 1/4	x 1.1250
5/32						5/32	x 1/4	x 1.1250
3/16						3/16	x 5/16	x 1.1250
1/4						1/4	x 3/8	x 1.1250
5/16						5/16	x 7/16	x 1.1250

Please call for current pricing.

500 Clark Avenue, St. Louis, Missouri 63122-6401
 Call us Monday through Friday between 7 am and 4 pm Central
 314 / 821-3135 or toll-free 1-800 / 325-9474
 Fax 314 / 821-0343, <http://www.wagnerengraving.com>

Wagner precision-built typeholders offer:

- Chip-proof, shock-resistance steel head
- Hammer or punch press application
- Standard sizes to hold from 4 to 26 type
- Hardened removable anvil
- No springs or clips to work loose
- Steel type for holder is precision-made to produce uniform impressions
- Custom typeholders and type available. Send sample or drawing and impression of present steel type for quotation.



PH1 Typeholder

3/4" Diameter Shank for Hand or Punch Press Stamping

